

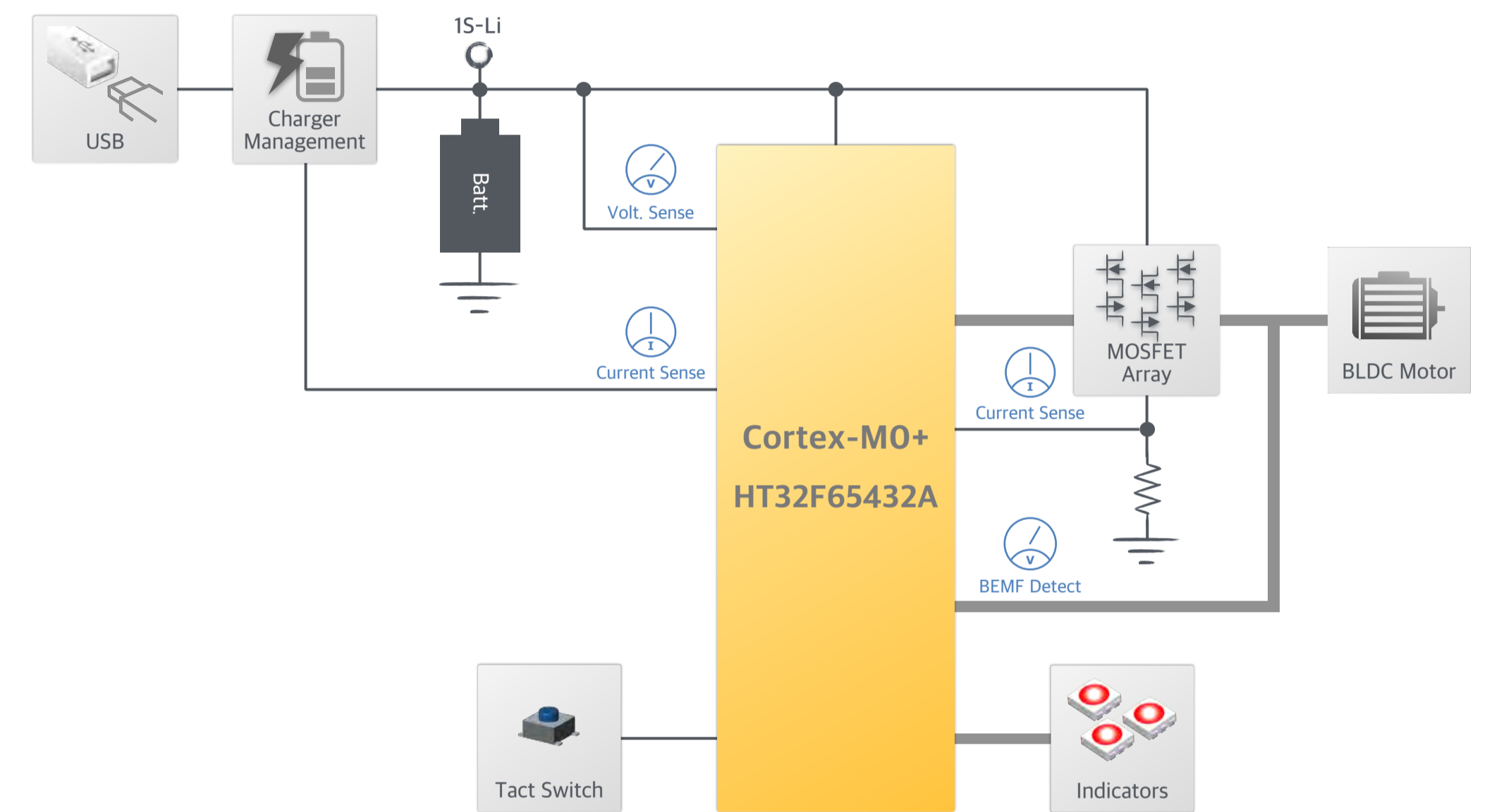
# 3S Lithium Battery High-speed Turbofan

## HT32F65432A

### Characteristics

- 1-shunt FOC Sensorless speed control
- PID speed control/current control: 4-step speed (24000/36000/60000/79000rpm)
- Under/over-voltage, over-current, locked-rotor restart protection functions

### Block Diagram



### Applications

Handheld vacuum cleaners, hair dryers, etc.

B04

