

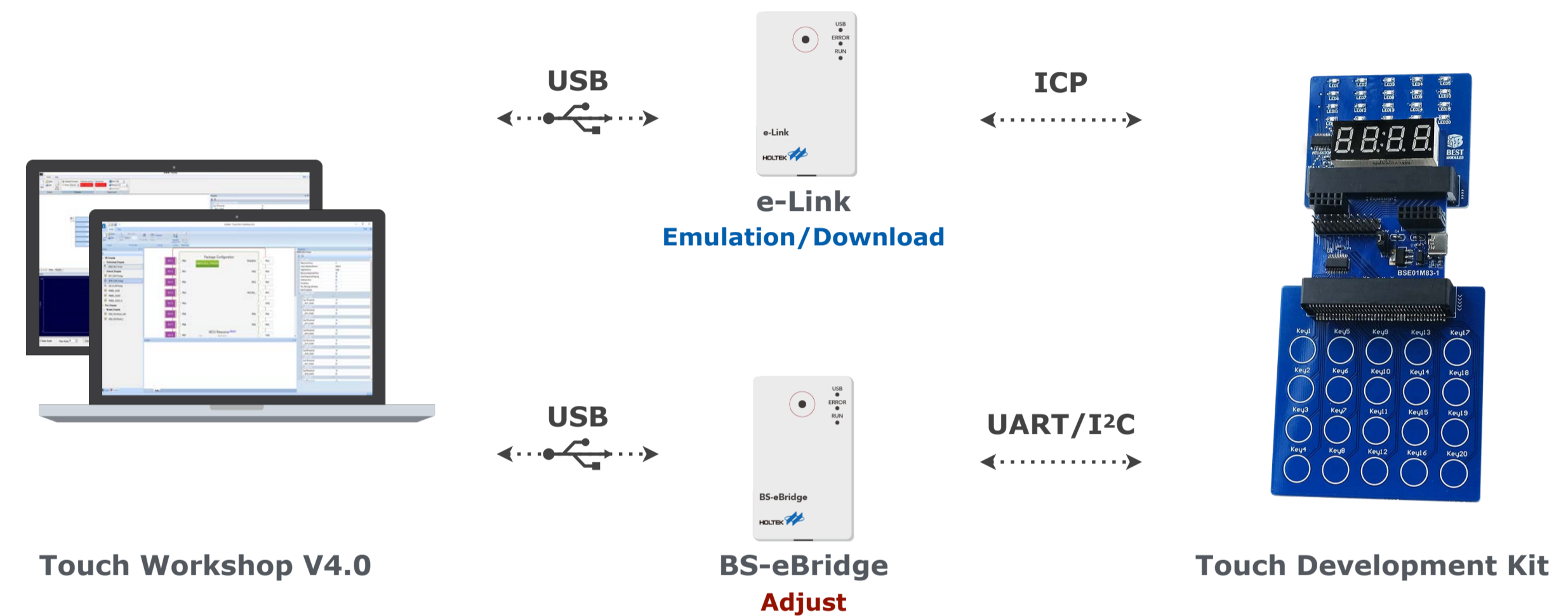
Touch Workshop V4.0

BS82xxxCA, BS83xxxC, BS84xxxC/CA, BS86xxxC/CA, BS66FxxxC, BS67FxxxC

Characteristics

- Supports various application library
- Graphical configuration of library parameters to quickly generate projects
- Custom packages can be added to expand more application functions
- Supports touch parameters adjustment
- Can directly compile and program, provides a rapid application development environment

Connection



Applications

Small appliances, smart home appliances, consumer electronics, etc.

G02

