

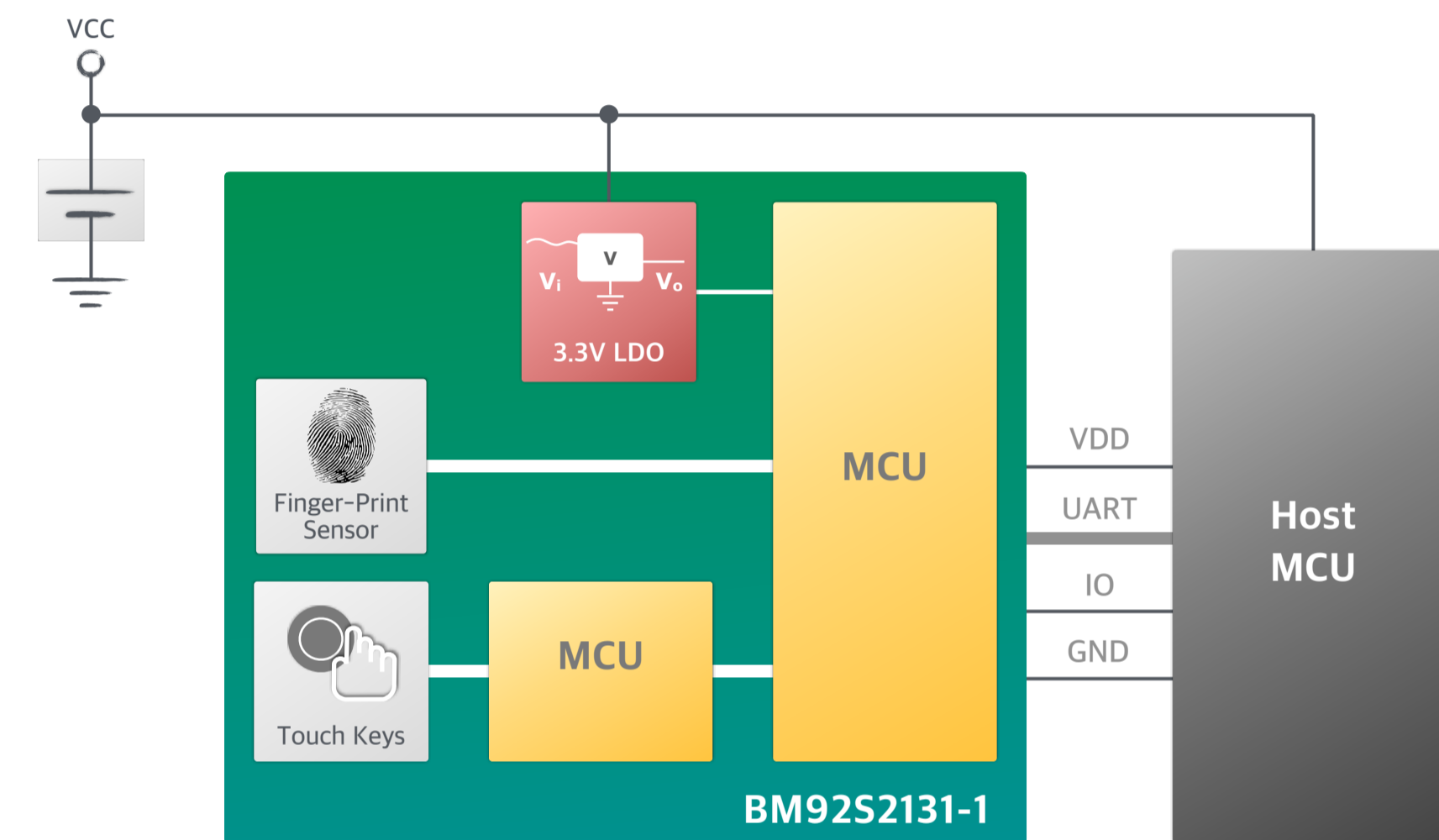
# 2nd Gen Capacitive Fingerprint Recognition Module (Medium)

BM92S2131-1

## Characteristics

- Recognition rate: FAR<0.01%, FRR<3%
- Effective collection area: 8.0mm × 8.0mm
- One to one matching time: <6ms, storage capacity: 500 fingerprints
- Supports UART communication to implement fingerprint collection, registration, comparison and search functions
- Support for BMduino (Arduino) development

## Block Diagram



## Applications

Safe deposit boxes, suitcases, etc.

