

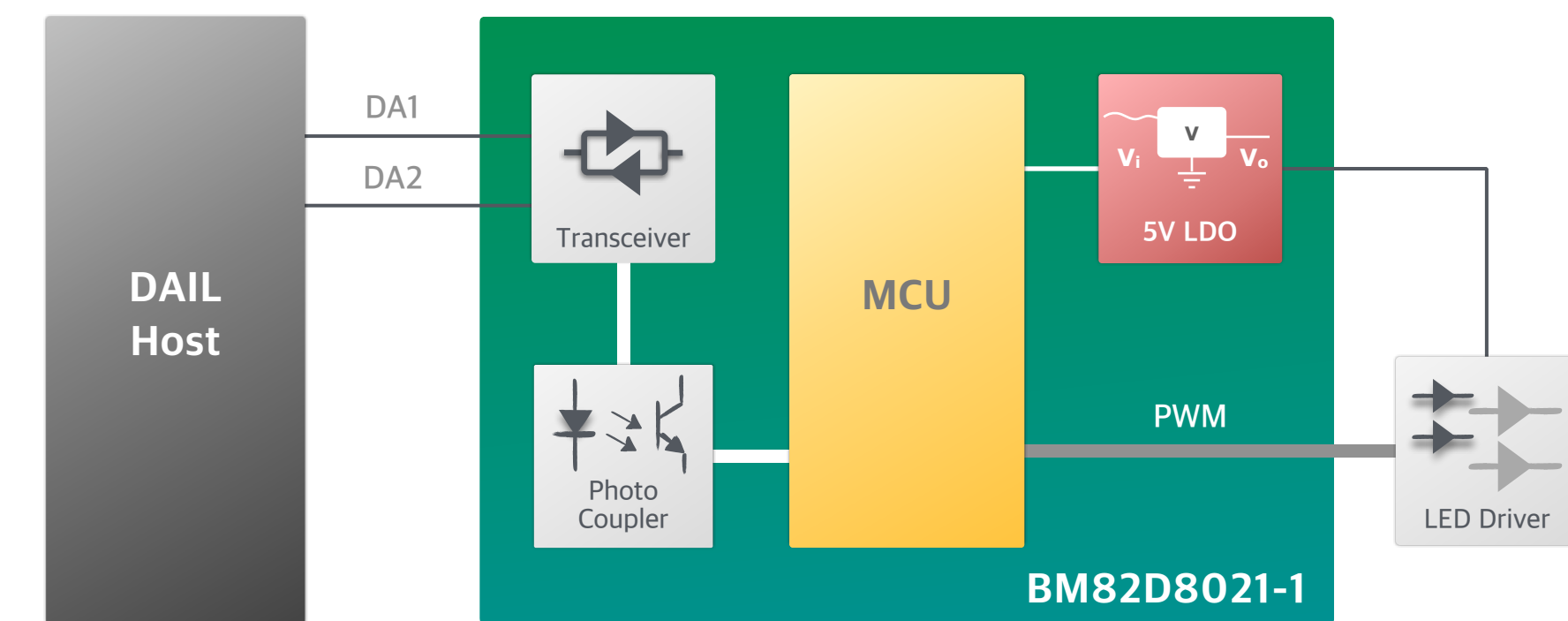
DALI DT6/DT8(Tc) Control Module

BM82D8021-1, LED Driver: HT7L5503, AC/DC: HT7A6312

Characteristics

- In compliance with IEC 62386-101/102/207/209(Tc)
- DALI interface, has a 260V withstand voltage
- 7V ~ 30V wide operating voltage range
- Uses DIP switches or adjusts resistance to control the PWM output
- PWM dimming depth: 0.1%
- Ideal for integrated in DT6/DT8 Tc(Color Temperature) LED drivers

Block Diagram



Applications

DT6/DT8(Tc) DALI LED drivers, etc.

