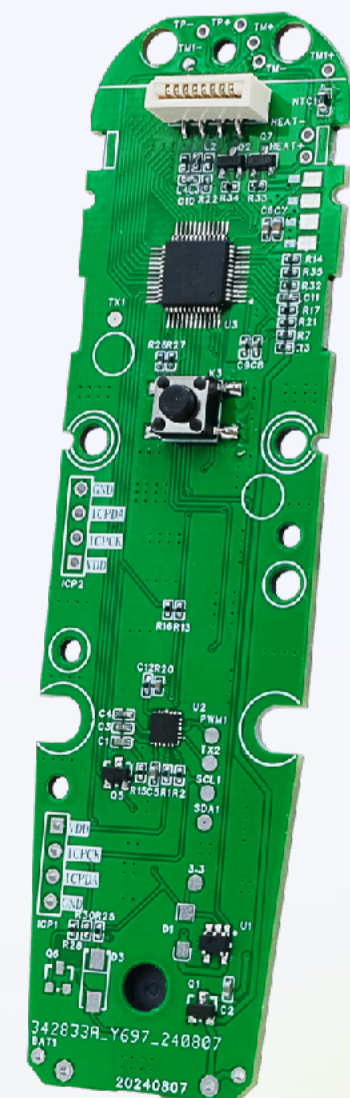


Warm-Up Type Ear Thermometer

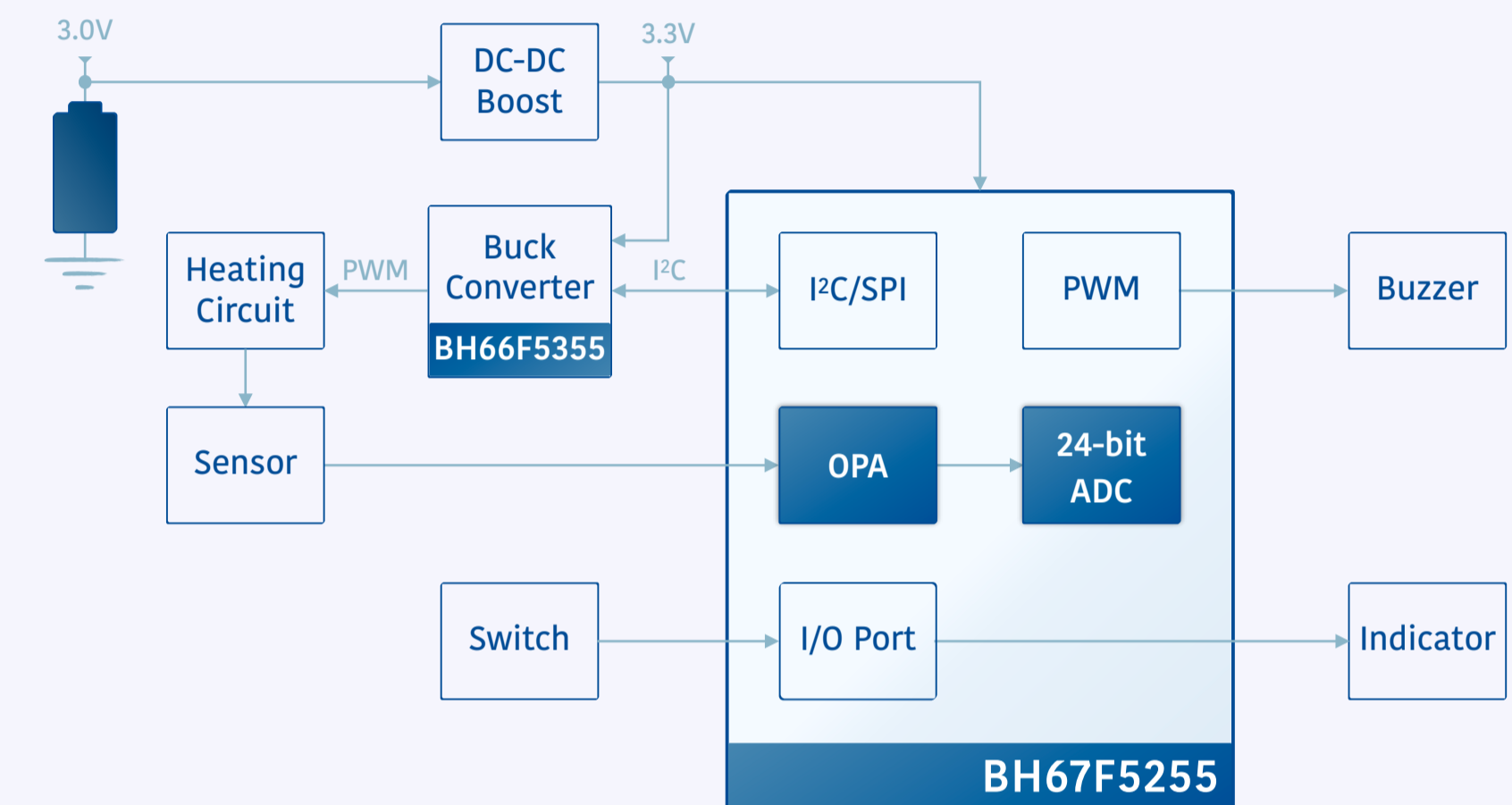
BH67F5255+BH66F5355

Characteristics

- BH67F5255 and BH66F5355 both integrate a 24-bit ADC and two OPAs for accurate measurements
- High level of integration, reduced peripheral components
- BH67F5255 + BH66F5355 to achieve warm-up technology, solving the error caused by thermal shock and improving the measurement accuracy
- Supports age setting to ensure more accurate measurements
- One-button measurement, easy to operate



Block Diagram



Applications

Ear thermometers, etc.

