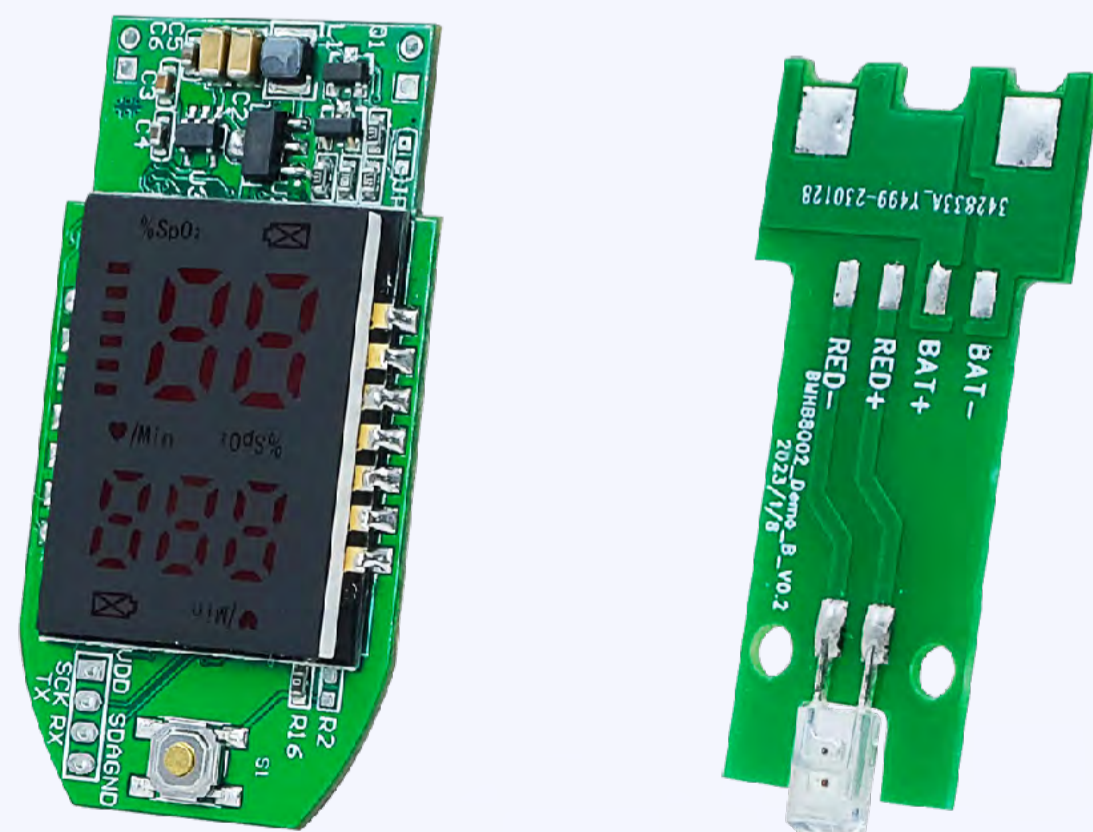


Finger Clip Pulse Oximeter

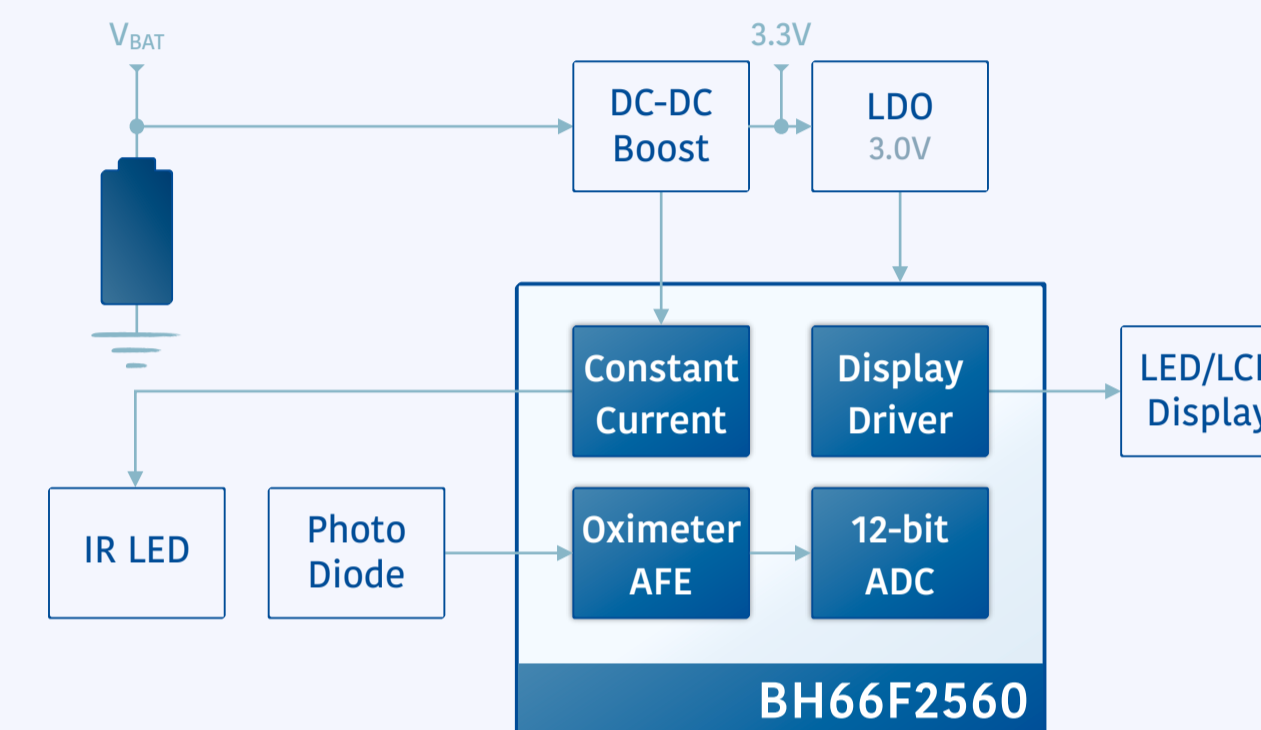
BH66F2560

Characteristics

- High level of integration, less components, smaller size
- Less BOM cost
- Internal display driving circuit for both LCD and LED display
- Programmable driving current for LED display
- Internal PWM, I²C, SPI and UART Interface to connect OLED modules or the other devices



Block Diagram



Applications

Sleep monitors, multi-functional health detectors, etc.

