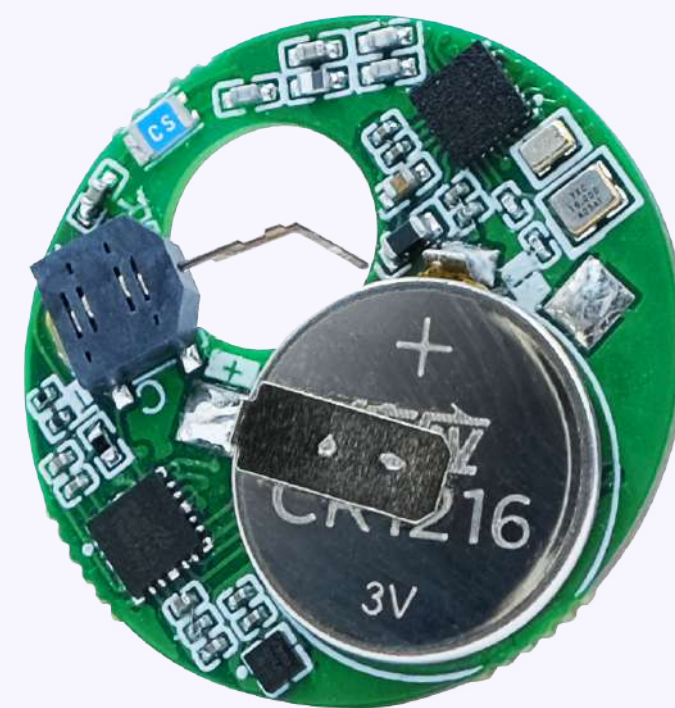


CGM Blood Glucose Meter

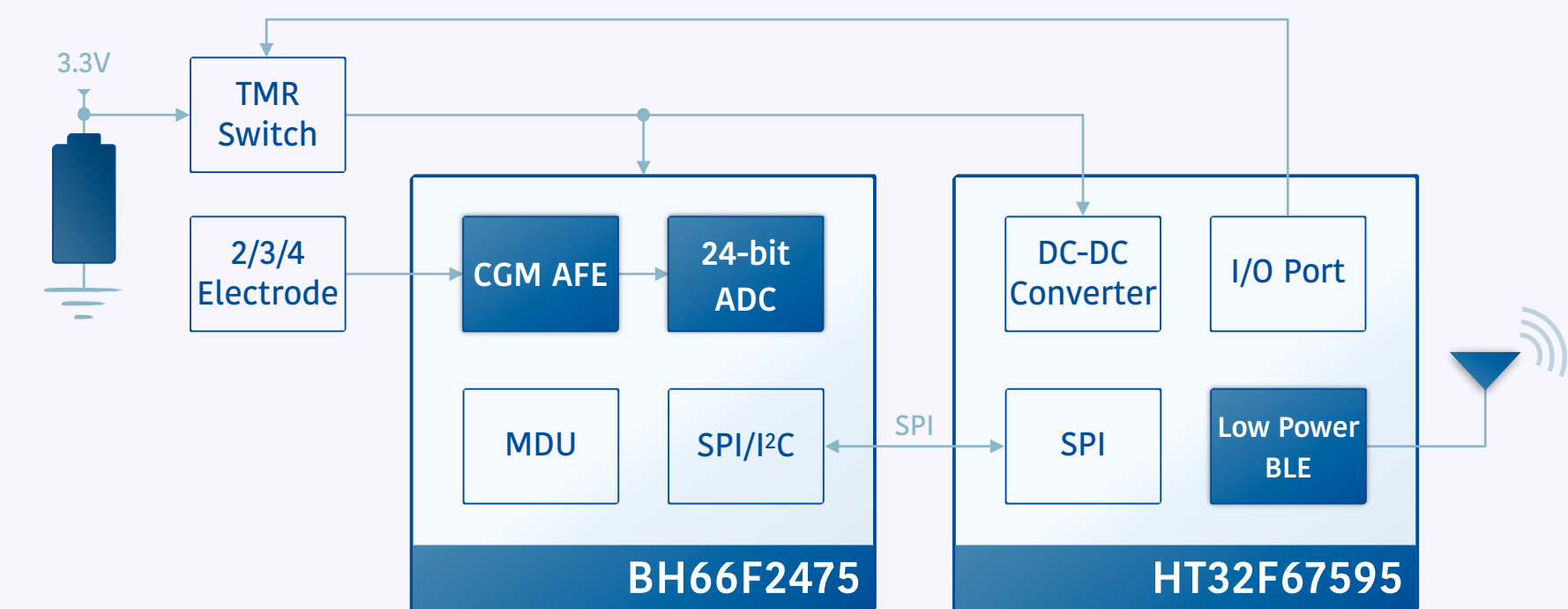
BH66F2475+HT32F67595

Characteristics

- Smaller size :
BH66F2475 24QFN (3×3mm²) / WLCSP (2.1×2.03mm²)
HT32F67595 28LGA (3×3mm²)
Diameter of demo board only 23mm
- High level of integration for fewer components
- Less power consumption, continuous work for more than 20 days



Block Diagram



Applications

Small stand-alone CGM, insulin pumps, CGM systems, etc.

