

Infrared Temperature Measurement Digital Sensor

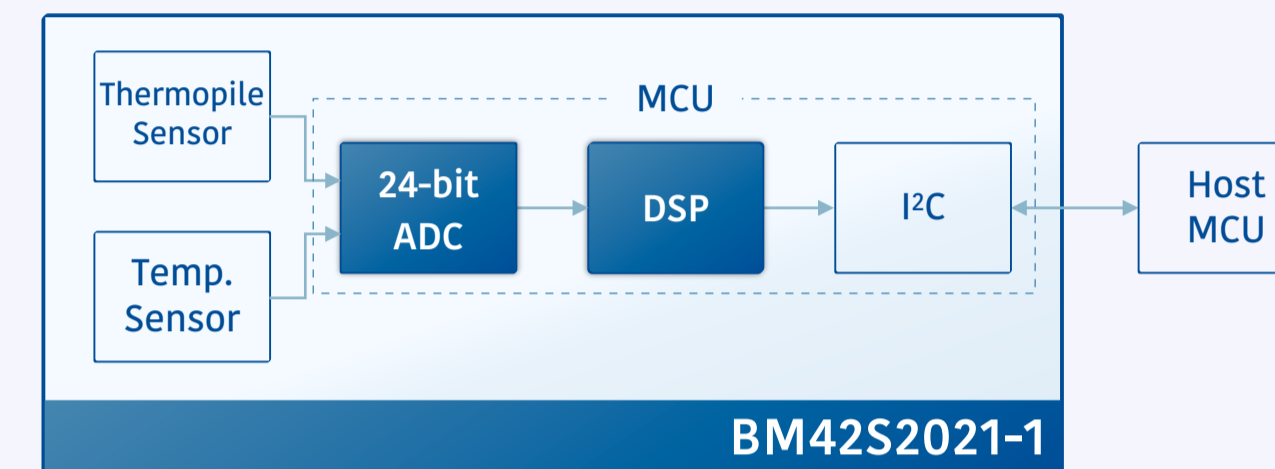
BM42S2021-1

Characteristics

- Direct temperature data output, no need for conversion
- TO-46 package, small size, space-saving
- Supports standard I²C digital output, flexible application
- Temperature range: 0°C~300°C
- Accuracy: ±1°C (≤100°C) / ±2% F.S. (>100°C)



Block Diagram



Applications

Industrial temperature monitoring, smart appliance temperature monitoring, non-contact temperature measurement, etc.

