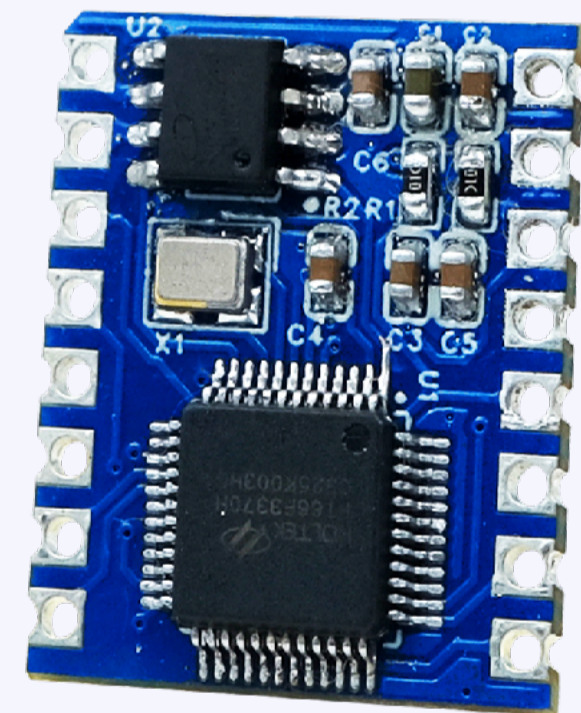


CAN Bus Conversion Module (125 °C)

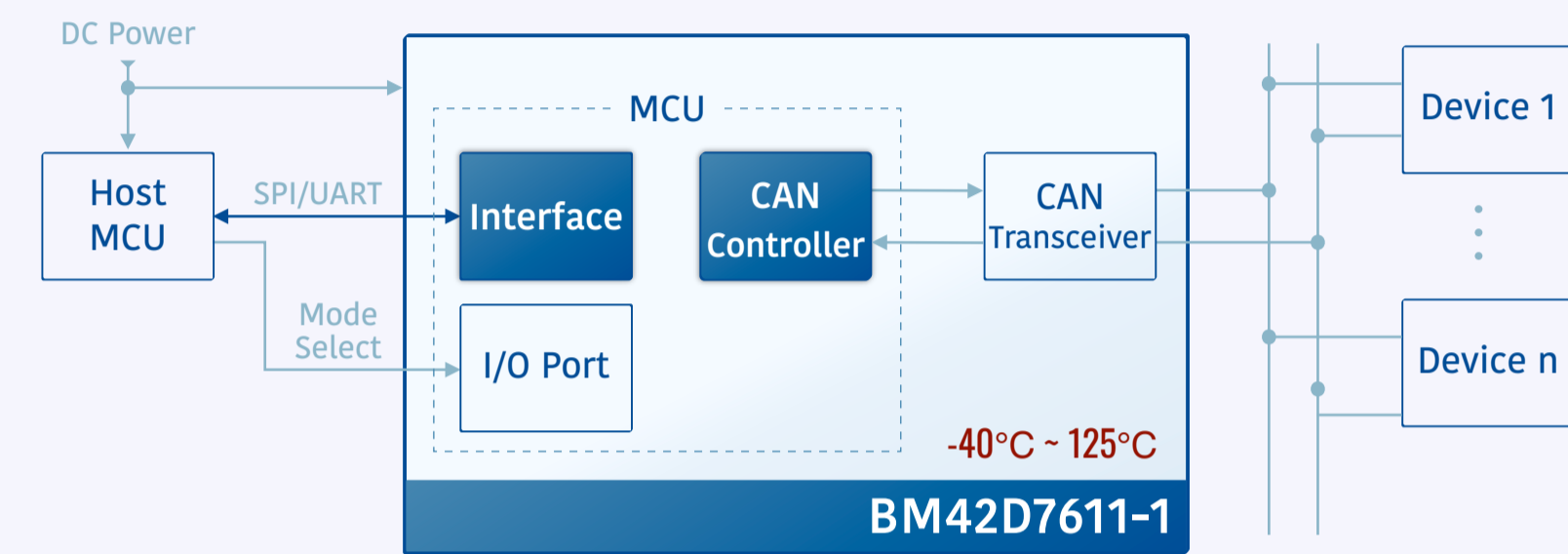
BM42D7611-1

Characteristics

- Operating temperature: up to 125°C
- Supports bi-directional data transfer between SPI/UART and CAN interfaces
- Supports 6 sets of CAN receiving filter settings
- Simplified PCBA, low cost



Block Diagram



Applications

Agricultural machinery, industrial automation, communication equipment, etc.

