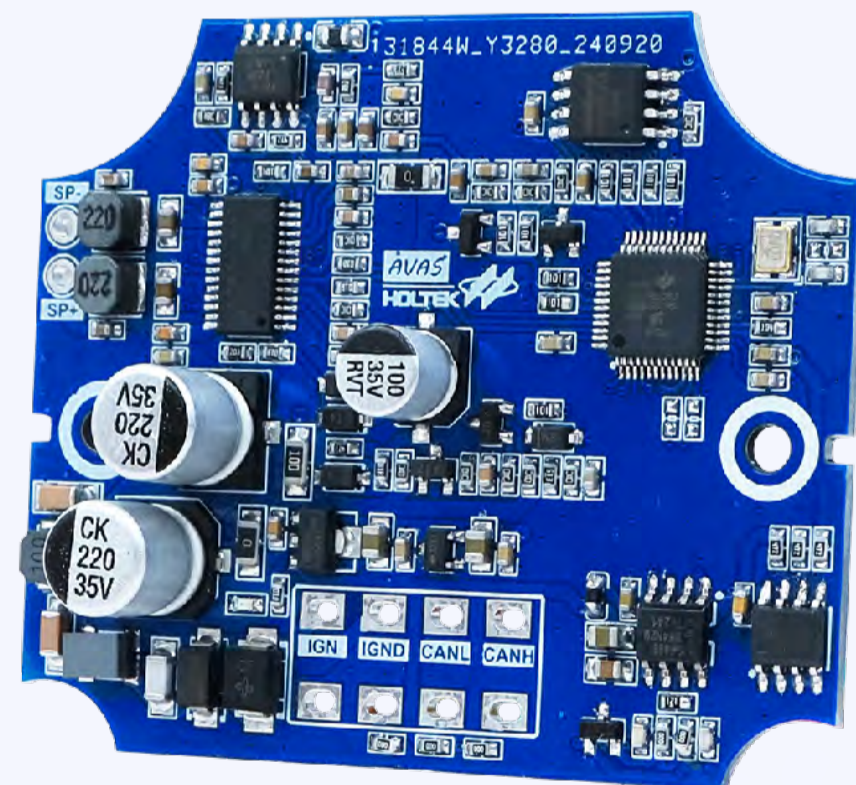


# Electric Vehicle Low-Speed Driving Alert (AVAS)

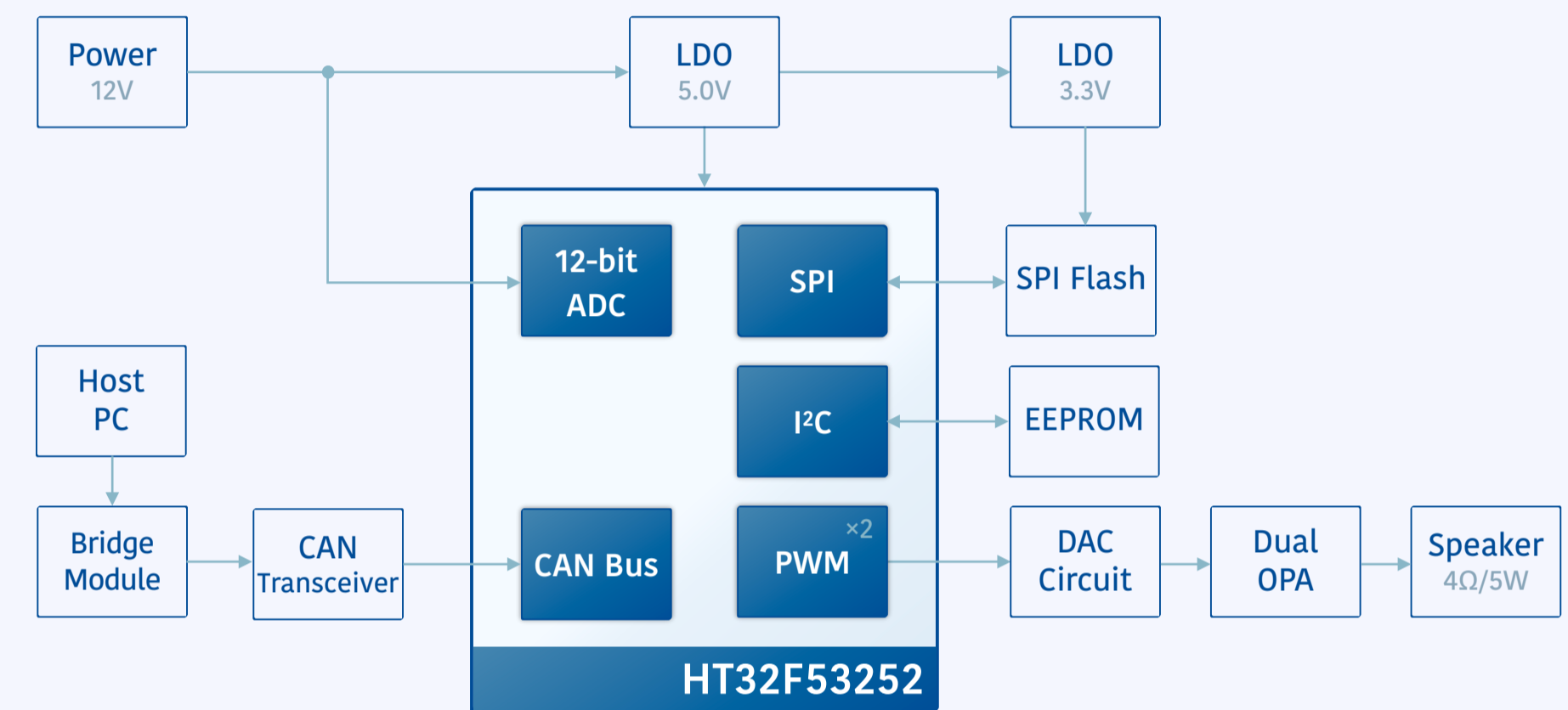
## HT32F53252

### Characteristics

- Mix of two sound outputs: speed-sensitive and constant low pitch, avoiding monotonous pitch increase
- External SPI Flash or internal MCU Flash can store a variety of sounds
- Update and adjust sounds for AVAS rules easily with a host PC
- Simulate speed with a PC to quickly get sound effects for AVAS



### Block Diagram



### Applications

Audible vehicle alert systems (AVAS), etc.

