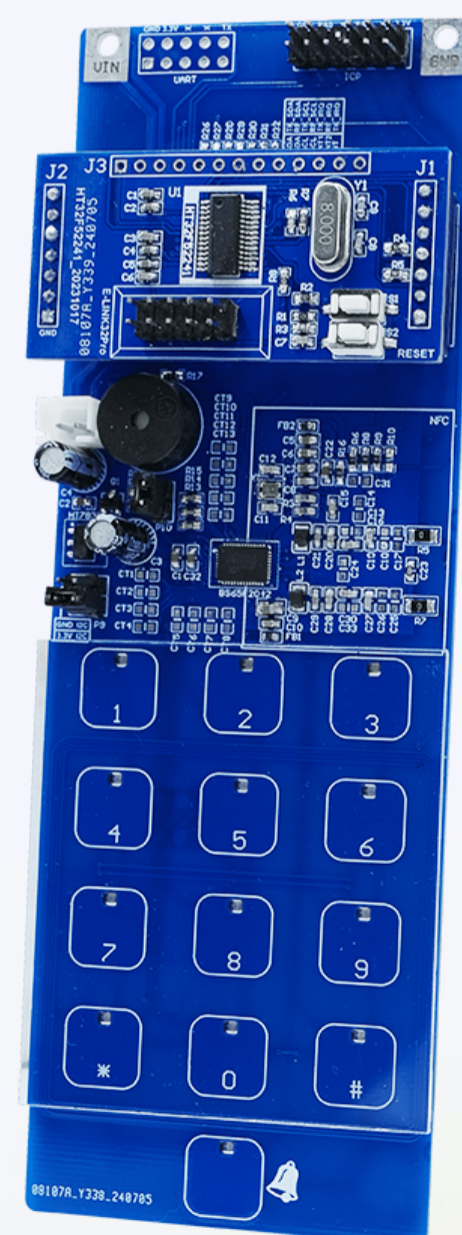


Touch+NFC Combination Lock Panel Demo

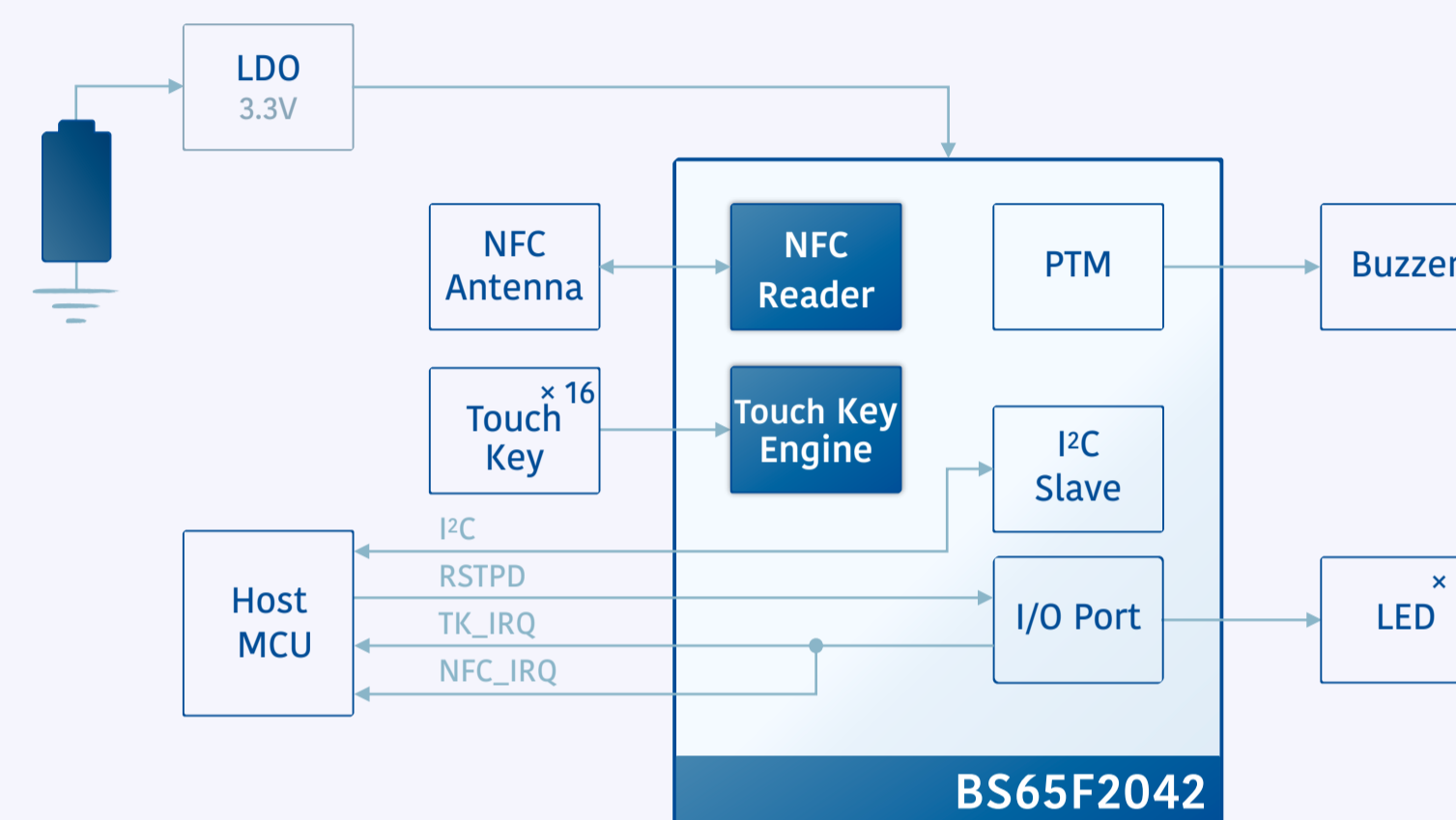
BS65F2042

Characteristics

- Integrates NFC and touch key functions
- NFC card detection: 12μA @3.3V, 128ms detection period
- Touch key detection: 15μA @3.3V, 128ms detection period
- 16-channel touch keys meet the touch door lock demands
- Touch key functions are not disturbed by NFC card read/write
- Supports ISO/IEC 14443 A/B, Crypto_M
- Supports I²C communication



Block Diagram



Applications

Smart door locks, NFC access control applications, smart home appliances, etc.

D01

