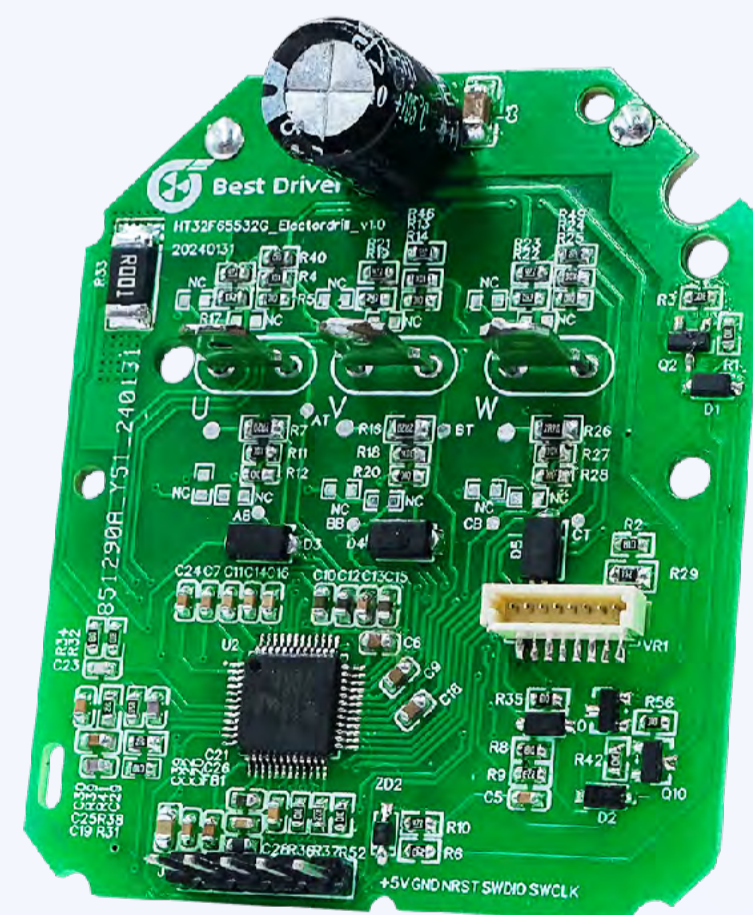


5S Lithium Battery Electric Drill

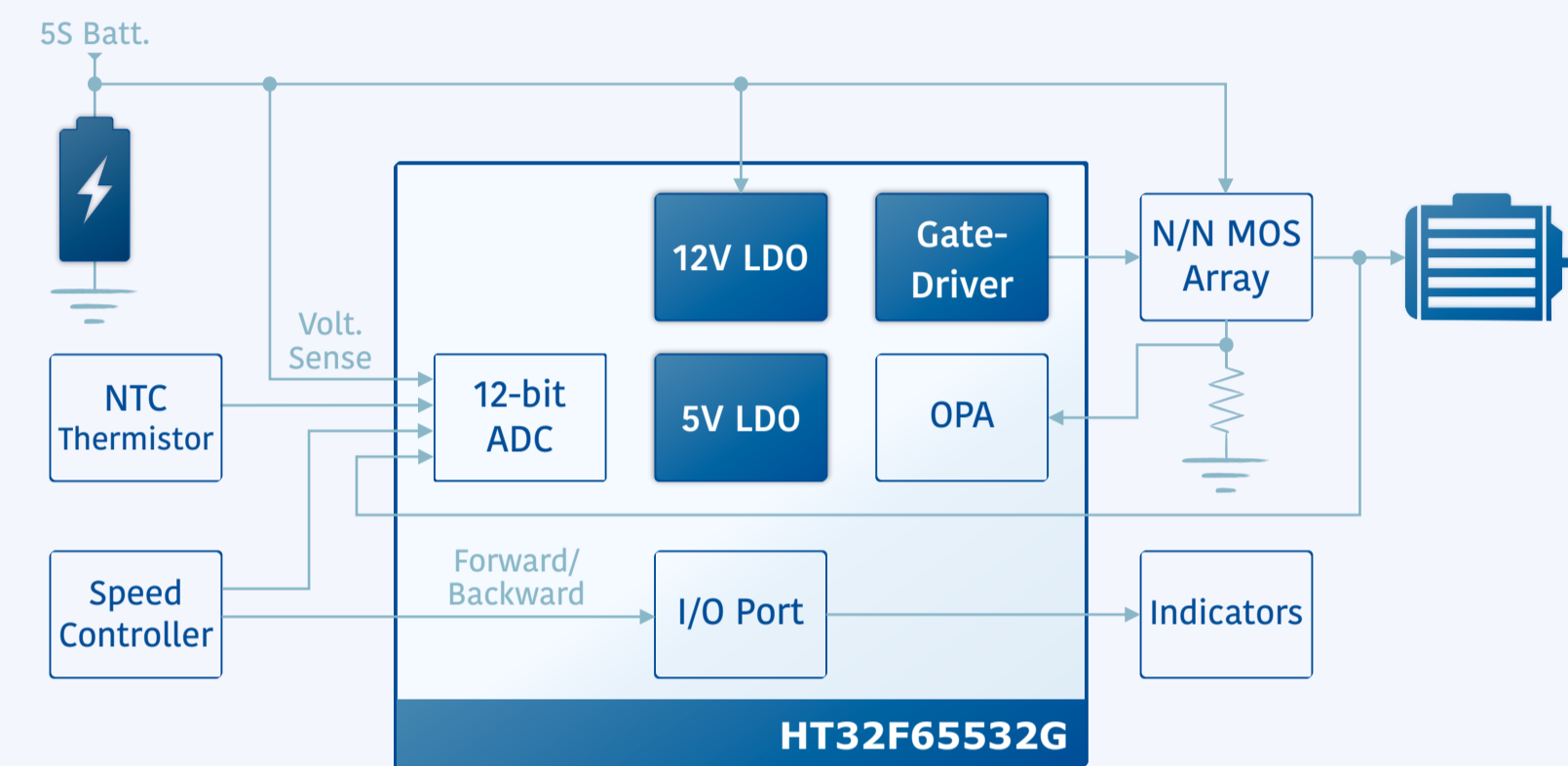
HT32F65532G

Characteristics

- Sensorless square-wave control solution
- Integrated 5V/12V LDO, 48V N/N gate-driver
- VSP speed regulation, forward/backward control
- Low speed (drill 0~400RPM) / high speed (drill 0~1400RPM)
- Under-/over-voltage, over-current, over-temperature, locked-rotor, under-speed protection



Block Diagram



Applications

Metalworking drills, home improvement drills, etc.

