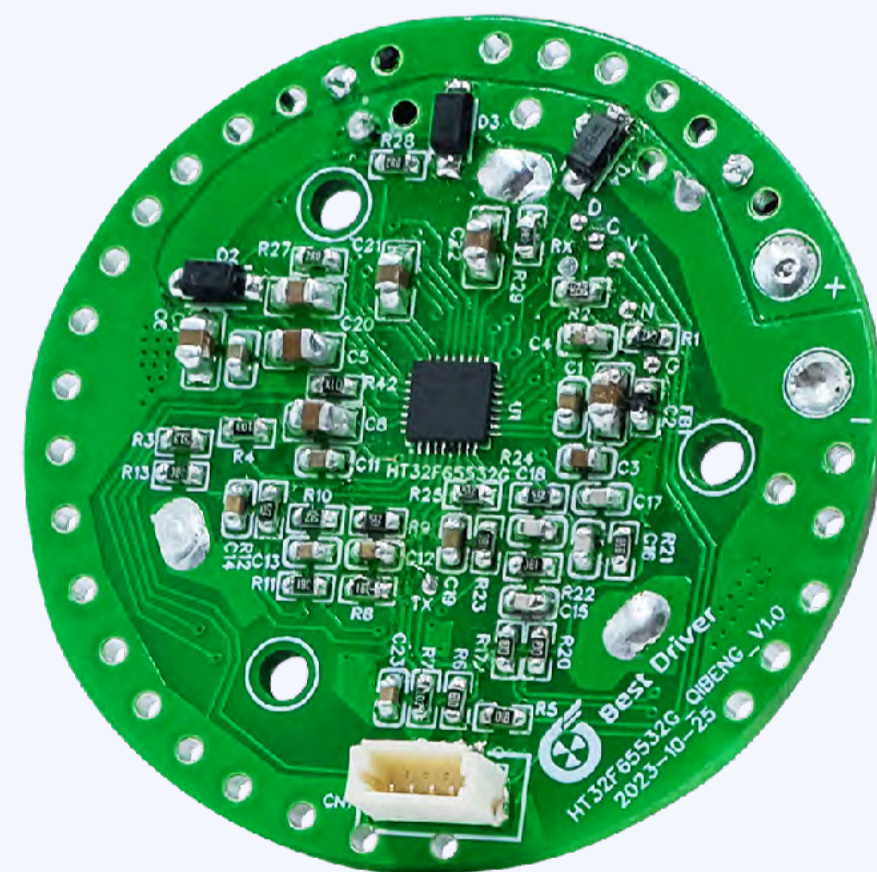


3S Lithium Battery Multi-functional Air Pump

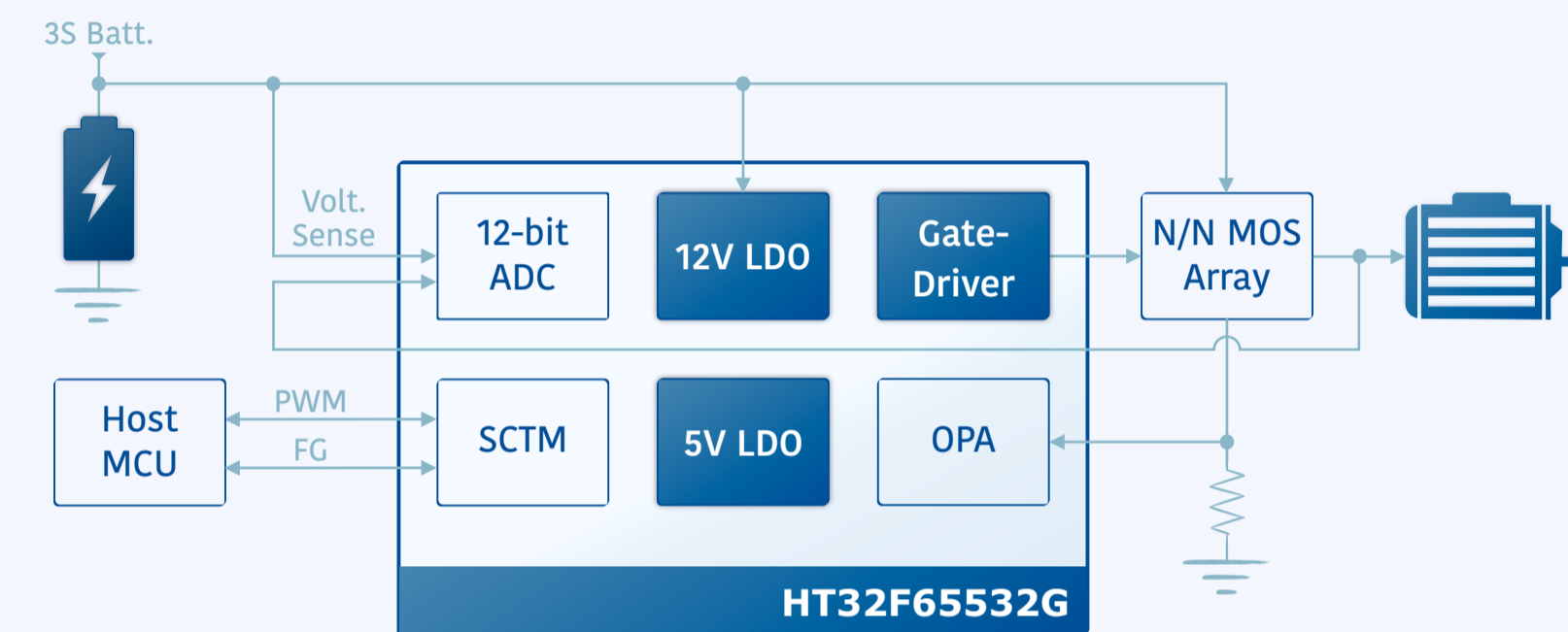
HT32F65532G

Characteristics

- 1-shunt sensorless FOC control
- Integrated 5V/12V LDO, 3-channel 48V N/N gate-driver
- Max. current of 10A, max. speed of 100KRPM
- Constant power control, 2-level PWM switching, FG signal feedback
- Under-/over-voltage, over-current, under-/over-speed, locked-rotor protection



Block Diagram



Applications

3S lithium battery multi-functional air pumps, etc.

