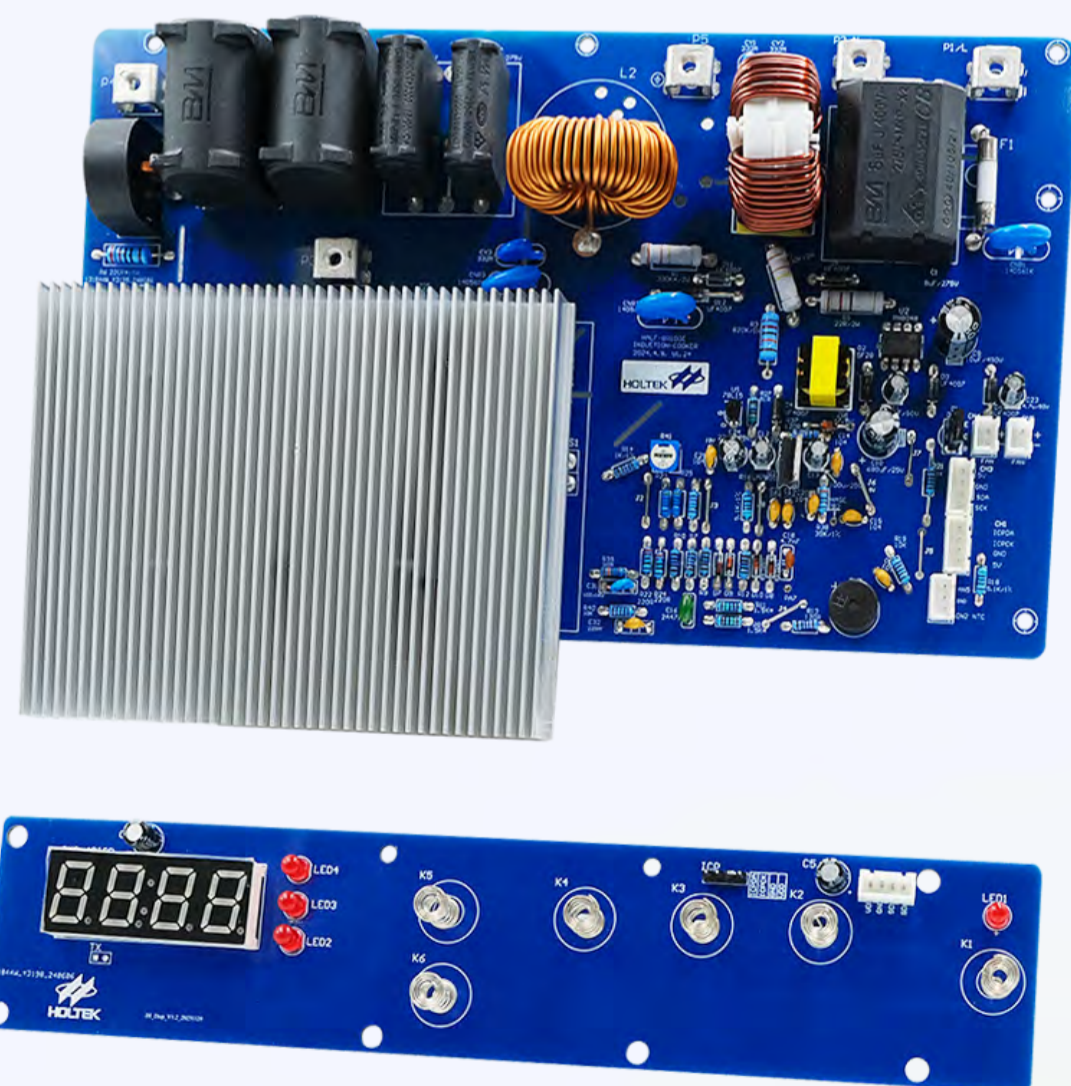


Half-Bridge Induction Cooker

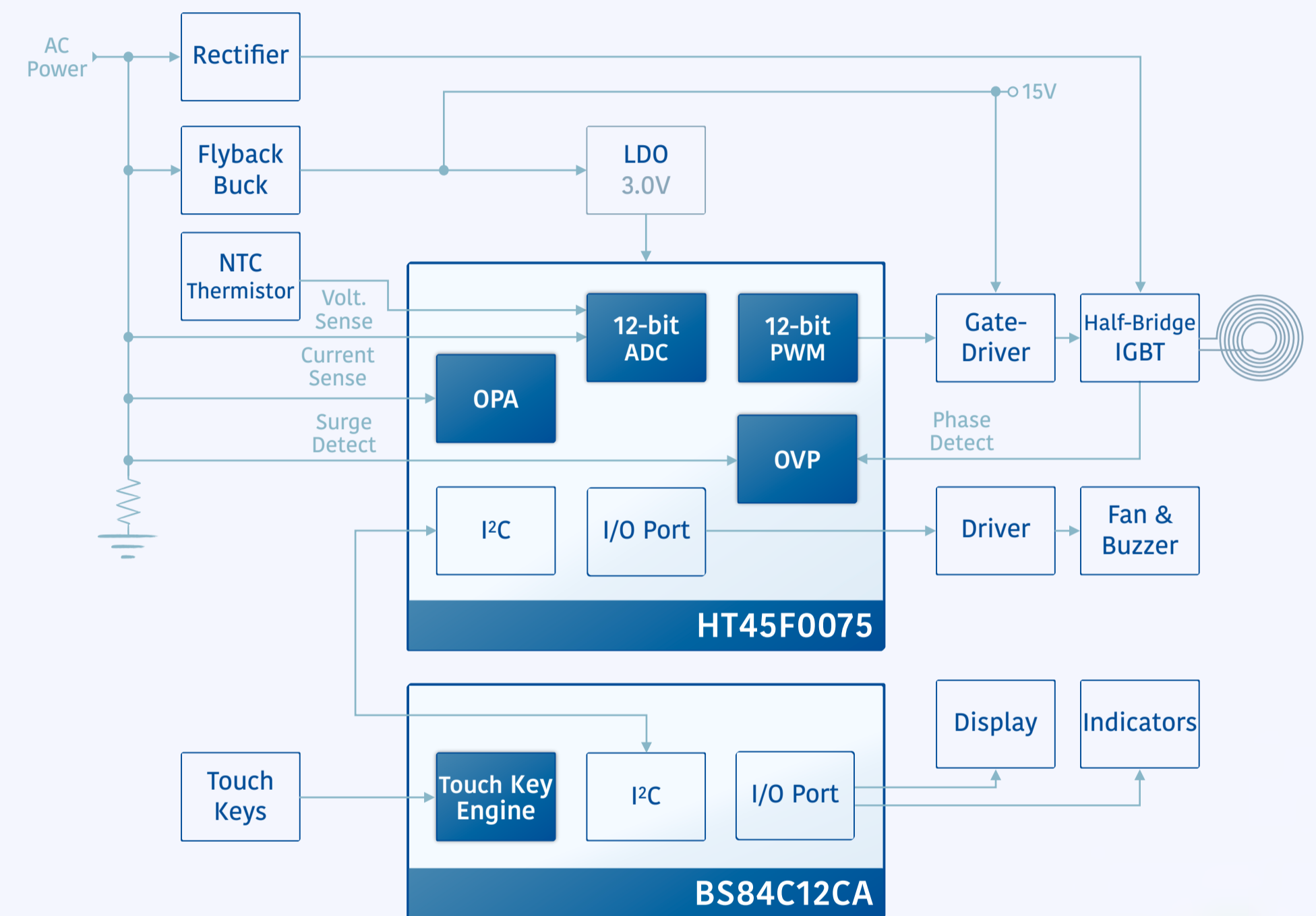
HT45F0075+BS84C12CA

Characteristics

- Multi-level power control, max./min. power: 3500W/300W @220V
- Continuous heating over the full power range
- Software AC voltage/current, IGBT/cooktop surface overheating protection
- Hardware AC voltage surge, IGBT over-current protection and phase detection
- Hardware frequency jitter optimizes EMI characteristics



Block Diagram



Applications

3.5KW~10KW commercial induction cookers, etc.

